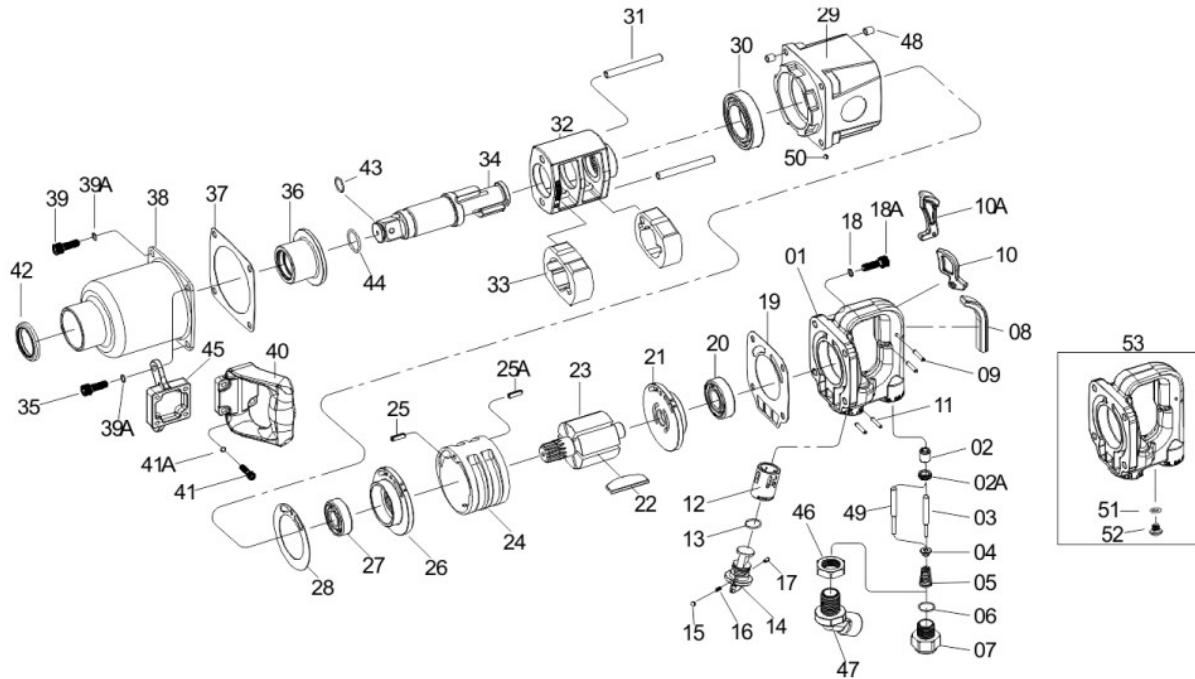


AN1811S EXPLODED DIAGRAM



Item	Description	Ordering #	Q'ty
1	Backhead Assembly (Incl. 2, 12)	59930572	1
●2	Bushing	59930573	1
2A	Throttle Valve Seat	59930574	1
3	Throttle Valve Plunger (for Inside Trigger)	59930575	1
4	Throttle Valve	59930576	1
5	Spring	59930172	1
6	O-Ring	59930173	1
7	Straight Air Inlet	59930577	1
8	Rubber Cap (for Inside Trigger)	59930578	1
9	Pin	59930579	2
10	Inside Trigger	59930580	1
10A	Outside Trigger	59930581	1
11	Spring Pin	59930582	2
●12	Reverse Valve Bushing	59930583	1
13	O-Ring	59930174	1
14	Reverse Valve Assembly (Incl 17)	59930584	1
15	Steel Ball	59930175	1
16	Spring	59930176	1
●17	Spring Pin	59930585	1
●18	Spring Washer	59930586	4
18A	Screw Assembly (Incl 18)	59930587	4
19	Gasket	59930177	1
●20	Ball Bearing	59930178	1
21	Rear End Plate Assembly (Incl 20)	59930588	1
22	Rotor Blade	59930179	6
★	Rotor Blade Set (Incl 22*6pcs)	RS9910406	1
23	Rotor	59930589	1
24	Cylinder	59930590	1
25	Spring Pin	59930591	1
25A	Spring Pin	59930592	1
26	Front End Plate Assembly (Incl 27)	59930593	1

Item	Description	Ordering #	Q'ty
●27	Ball Bearing	59930180	1
28	Gasket	59930181	1
29	Housing Assembly (Incl 48, 50)	59930594	1
30	Ball Bearing	59930182	1
31	Hammer Pin	59930595	2
32	Hammer Frame	59930596	1
33	Hammer	59930597	2
34	6" Extended Spline Anvi 1"	59930620	1
35	Screw Assembly (Incl 39A*2pcs)	59930601	2
36	Bushing	59930734	1
37	Gasket	59930183	1
38	Hammer Case	59930603	1
39	Screw Assembly(Incl 39A*2pcs)	59930604	2
●39A	Spring Washer	59930605	4
40	Side Spade Handle	59930606	1
41	Screw Assembly (Incl 41A)	59930607	4
●41A	Spring Washer	59930608	4
42	Oil Seal	59930609	1
43	O-Ring	59930184	1
44	Socket Retainer	59930185	1
45	Support Handle	59930611	1
46	Lock Nut	59930612	1
47	Air Inlet	59930613	1
●48	Heli-Coil	59930618	8
49	Throttle Valve Plunger	59930619	1
50	Steel Ball	59930614	4
51	O-Ring	59930615	1
52	Screw	59930616	1
53	Backhead Assembly	59930617	1
★	Tune-up Kit(5, 6, 13, 15, 16, 19, 20, 22*6pcs, 27, 28, 30, 37, 43, 44)	RS9910210	1

●Recommended not to be purchased alone due to assembly difficulty